

Product Features

- ◇ Support 1.25G~10Gb/s serial optical interface
- ◇ SFP MSA package with single LC connector
- ◇ 1470nm~1610nm transmitter, minimum interval 20nm
- ◇ APD receiver for high sensitivity
- ◇ Very low EMI and excellent ESD protection
- ◇ Digital Diagnostic Monitor Interface
- ◇ Hot pluggable
- ◇ Up to 100km distance
- ◇ Compliant with SFP+ MSA
- ◇ High transmission margin
- ◇ +3.3V single power supply
- ◇ Below <1.2W power consumption

Applications

- ◇ 10GBASE-BX at 10.3125 Gb/s
- ◇ Other optical link
- ◇ SFP+ MSA Compliant
- ◇ SFF-8472 reversion 9.5 compliant
- ◇ IEEE802.3-2005 compliant
- ◇ Telcordia GR-468-CORE compliant
- ◇ FCC 47 CFR Part 15, Class B compliant
- ◇ FDA 21 CFR 1040.10 and 1040.11, class1 compliant
- ◇ RoHS Compliant

Ordering Information

Part Number	Output Power	Rec. Sens	Data Rate	Wavelength	Distance
FH-SPB541TCDL100	0 ~ +4DB	-25DB	10.3125G	TX1550/RX1490nm	100km

General

FH-SPB541TCDL100 is hot pluggable 3.3V Small-Form-Factor transceiver module. It designed expressly for high-speed communication applications that require rates up to 10.7Gbps, it designed to be compliant with SFF-8472 and SFP+ MSA. The module data link up to 100km in 9/125um single mode fiber. The optical output can be disabled by a LVTTTL logic high-level input of Tx Disable. Tx Fault is provided to indicate that degradation of the laser. Loss of signal (LOS) output is provided to indicate the loss of an input optical signal of receiver or the link status with partner.

Absolute Maximum Ratings

Parameter	Symbol	Min.	Max.	Unit	Note
Supply Voltage	Vcc	-0.5	4.0	V	
Storage Temperature		-40	85	°C	
Relative Humidity			85	%	

Note: Stress in excess of the maximum absolute ratings can cause permanent damage to the module

General Operating Characteristics

Parameter		Symbol	Min.	Typ	Max.	Unit	Note
Data Rate	Ethernet			10.3125		Gb/s	
Supply Voltage		V _{cc}	3.13	3.3	3.47	V	
		V _{cc}				V	
Supply Current		I _{cc5}				mA	
		I _{cc3}			550	mA	
Operating Case Temp.		T _c	0		70	°C	

Electrical Input/Output Characteristics

Parameter		Symbol	Min.	Typ	Max.	Unit	Note
Transmitter							
Diff. input voltage swing			120		820	mV _{pp}	1
Tx Disable input	H	V _{IH}	2.0		V _{cc} +0.3	V	
	L	V _{IL}	0		0.8		
Tx Fault output	H	V _{OH}	2.0		V _{cc} +0.3	V	2
	L	V _{OL}	0		0.8		
Input Diff. Impedance		Z _{in}		100		Ω	
Receiver							
Diff. output voltage swing			340	650	800	mV _{pp}	3
Rx LOS Output	H	V _{OH}	2.0		V _{cc} +0.3	V	2
	L	V _{OL}	0		0.8		

Note 1) TD+/- are internally AC coupled with 100Ω differential termination inside the module.

Note 2) Tx Fault and Rx LOS are open collector outputs, which should be pulled up with 4.7k to 10kΩ resistors on the host board. Pull up voltage between 2.0V and Vcc+0.3V.

Note 3) RD+/- outputs are internally AC coupled, and should be terminated with 100Ω (differential) at the user SERDES.

Optical Characteristics

Parameter	Symbol	Min.	Typ	Max.	Unit	Note
Transmitter						
Operating Wavelength			1550	Ω	nm	1
Ave. output power (Enabled)	Po	0		+4	dBm	2
Extinction Ratio	ER	8.2			dB	2
Rise/Fall time (20%~80%)	Tr/Tf			50	ps	3
Optical modulation amplitude	OMA	-4.8			dBm	
Dispersion penalty				3	dB	
Output Optical Eye	IEEE 802.3-2005 Compliant					
Receiver						
Operating Wavelength			1490		nm	1
Sensitivity	Psen			-25	dBm	4
Sensitivity over 80Kkm fiber	Psen			-20	dBm	4
Min. overload	Pimax	-7			dBm	
LOS Assert	Pa	-40			dBm	
LOS De-assert	Pd			-25	dBm	
LOS Hysteresis	Pd-Pa	0.5		4	dB	

Note 1) typical wavelegths 1490nm and 1550nm,1470nm~1610nm transmitter, minimum interval 20nm

Note 2) Measured at 10.3125b/s with PRBS 231 – 1 NRZ test pattern.

Note 3) 20%~80%

Note 4) Under the ER ==>-8.2, measured at 10.3125Gb/s with PRBS 231 - 1 NRZ test pattern for BER 1x10-12

Serial Interface For ID AND DDM

The SFP modules implement the 2-wire serial communication protocol as defined in the SFP MSA.

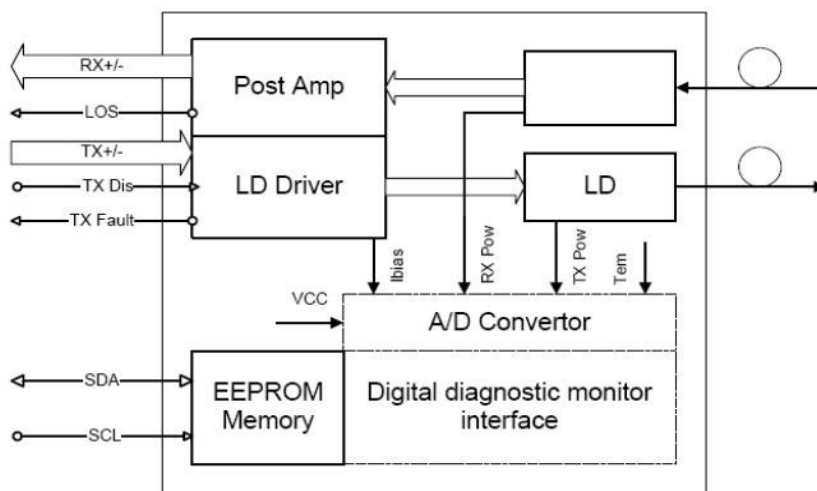
The serial ID information of the SFP modules and Digital Diagnostic Monitor parameters can be accessed through the I2C interface at address A0h and A2h. The memory is mapped in Table 1. Detailed ID information(A0h) And the DDM specification(A2h). For more details of the memory map and byte definitions, please refer to the SFF-8472 (Rev 9.3, Aug. 2002), “Digital Diagnostic Monitoring Interface for Optical Transceivers”.

The DDM parameters have been internally calibrated.

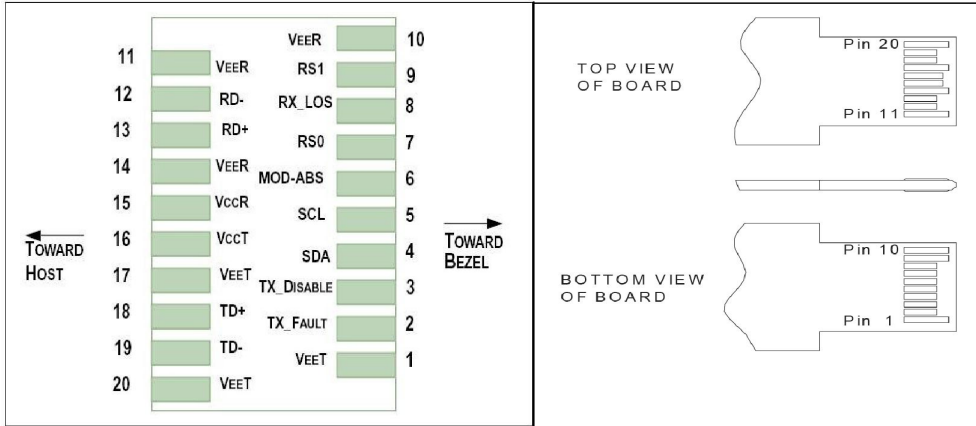
Table 1. Digital Diagnostic Memory Map (Specific Data Field Descriptions)

2 wire address 1010000X (A0h)		2 wire address 1010001X (A2h)	
Address	Information	Address	Information
0~95	Serial ID Defined by SFP MSA (96 bytes)	0~55	Alarm and Warning Thresholds (56 bytes)
96~127	Vendor Specific (32 bytes)	56~95	Calibration Constants (40 bytes)
128~255	Reserved,SFF8079 (128 bytes)	96~119	Real Time Diagnostic Interface (24 bytes)
		120~127	Vender Specific (8 bytes)
		128~247	User Writable EEPROM (120 bytes)
		248~255	Vender Specific (8 bytes)

Functional Diagram



Pin Definitions And Functions



PIN #	Name	Function	Notes
1	VeeT	Module transmitter ground	Note1
2	Tx Fault	Module transmitter fault	Note 2
3	Tx Disable	Transmitter Disable; Turns off transmitter laser output	Note 3
4	SDL	2 wire serial interface data input/output (SDA)	
5	SCL	2 wire serial interface clock input (SCL)	
6	MOD-ABS	Module Absent, connect to VeeR or VeeT in the module	Note 2
7	RS0	Rate select0,optionally control SFP+ receiver. When high, input data rate >4.5Gb/s;when low, input data rate <=4.5Gb/s	
8	LOS	Receiver Loss of Signal Indication	Note4
9	RS1	Rate select0,optionally control SFP+ transmitter. When high, input data rate >4.5Gb/s;when low, input data rate <=4.5Gb/s	
10	VeeR	Module receiver ground	Note 1
11	VeeR	Module receiver ground	Note 1
12	RD-	Receiver inverted data out put	
13	RD+	Receiver non-inverted data out put	
14	VeeR	Module receiver ground	Note 1
15	VccR	Module receiver 3.3V supply	
16	VccT	Module transmitter 3.3V supply	
17	VeeT	Module transmitter ground	Note 1
18	TD+	Transmitter inverted data out put	
19	TD-	Transmitter non-inverted data out put	
20	VeeT	Module transmitter ground	Note1

Notes:

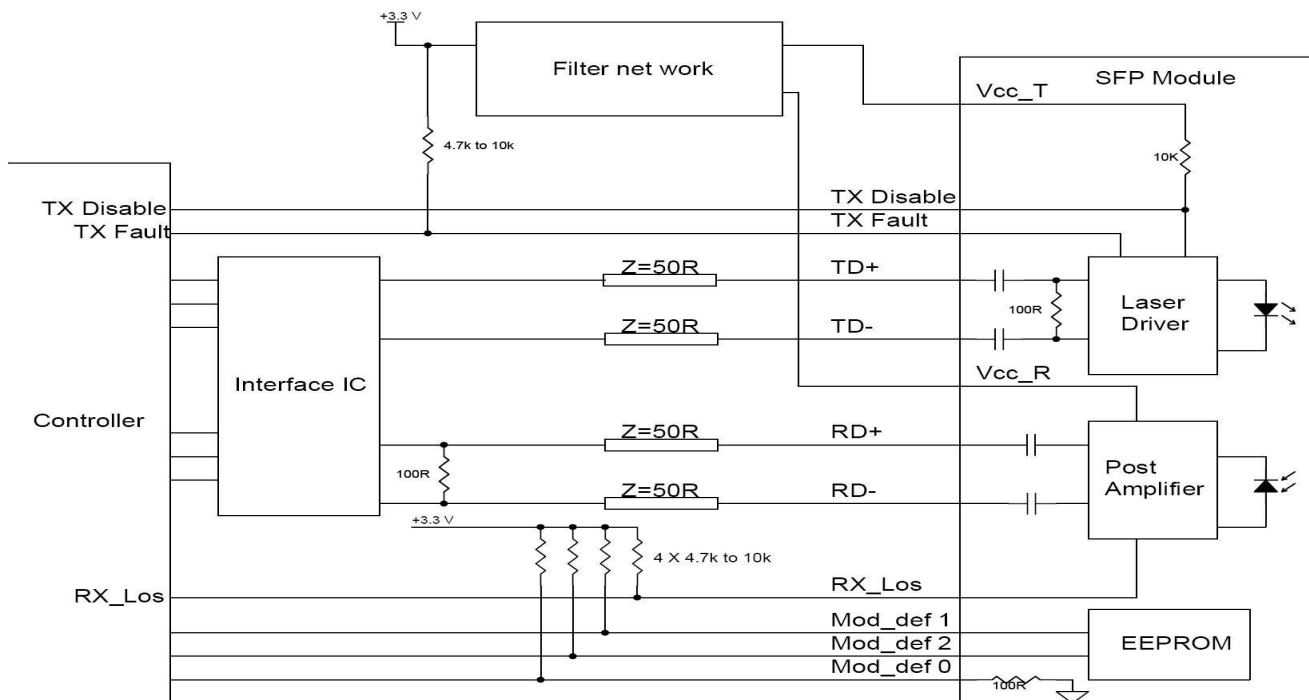
Note 1) Module circuit ground is isolated from module chassis ground within the module.

Note 2) This pin is an open collector/drain output pin and shall be pulled up with 4.7K-10Kohms to Host_Vcc on the host board.

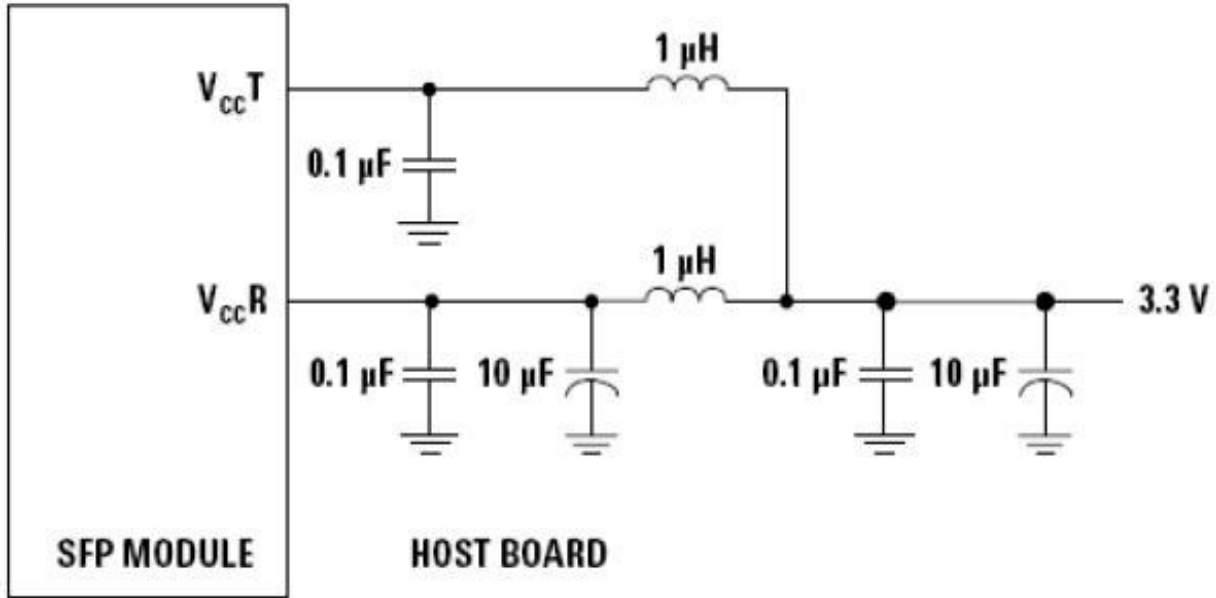
Note 3) This pin shall be pulled up with 4.7K-10Kohms to VccT in the module.

Note 4) This pin is an open collector/drain output pin and shall be pulled up with 4.7K-10Kohms to Host_Vcc on the host board. In FC designated as RX_LOS, inSONET designated as LOS, and in Ethernet designated at Signal Detect.

Typical Interface Circuit

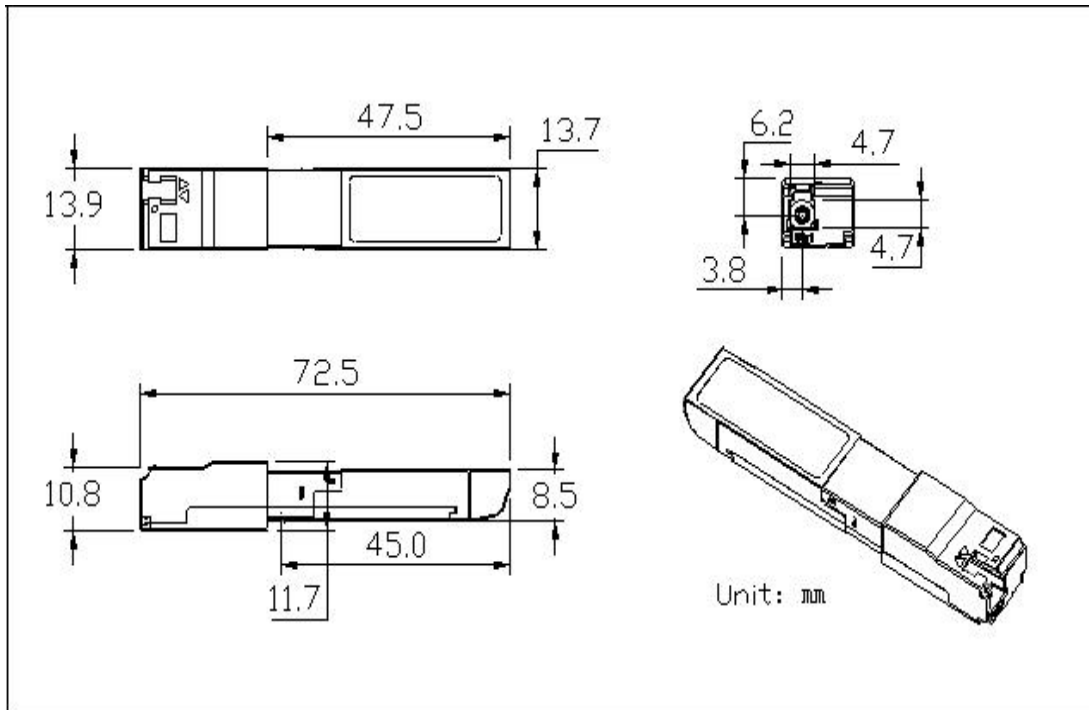


Recommended power supply filter



Note: Inductors with DC resistance of less than 1 should be used in order to maintain the required voltage at the SFP input pin with 3.3V supply voltage. When the recommended supply filtering network is used, hot plugging of the SFP transceiver module will result in an inrush current of no more than 30 mA greater than the steady state value

Package Dimensions



For More Information

FANG HANG TECH LIMITED

Add : Room 908, Jingyuan Building, 28 Bulong Rd, Longgang District, Shenzhen China

Tel: +86-755-89584520

Fax: +86-755-89584520

sales@fanghangtech.com

www.fanghangtech.com